

Eamnos / GATX type 9158

USAGE

This 4-axle box car of the type Eamnos is used for the transportation of non-moisture-sensitive bulk materials, such as coal, mineral ores, gravel, crushed gravel, wood and steel.

PAYLOAD TABLE

	A	B	C	D
S	44.8t	52.8t	62.8t	70.8t
I20	0.0			

PRODUCT DETAILS

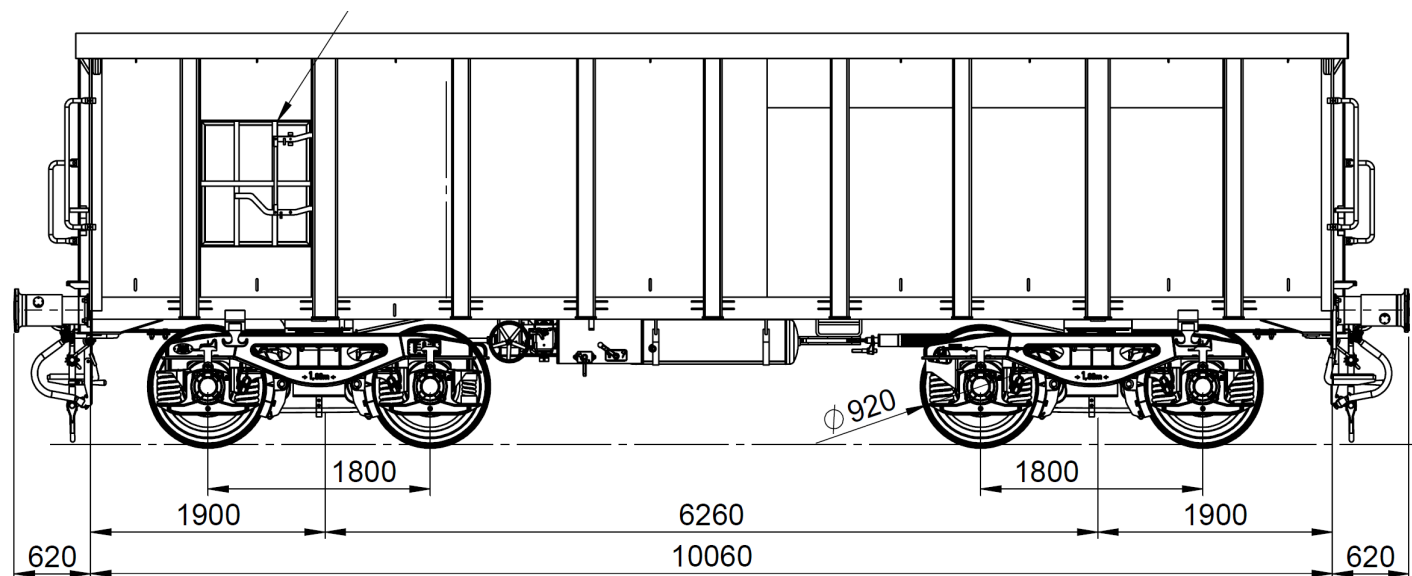
Capacity	58.0 m ³
Tare weight	19.2 t
Loading area	28.1 m ²
Total weight	90.0 t
Length over buffers	11,300 mm
Distance between outer axles	8,060 mm



Scan the QR-code for more details:



#railcarleasingmadeeasier
www.gatx.eu



BODY DATA

Body material	high-strength steel
Outer width	3,010 mm
Wall thickness	6 mm
Floor Thickness	8 mm

CLEANING OPENING

Height	1,000 mm
Width	900 mm

LOADING/UNLOADING DEVICES

Loading length	10,048 mm
Loading width	2,800 mm

