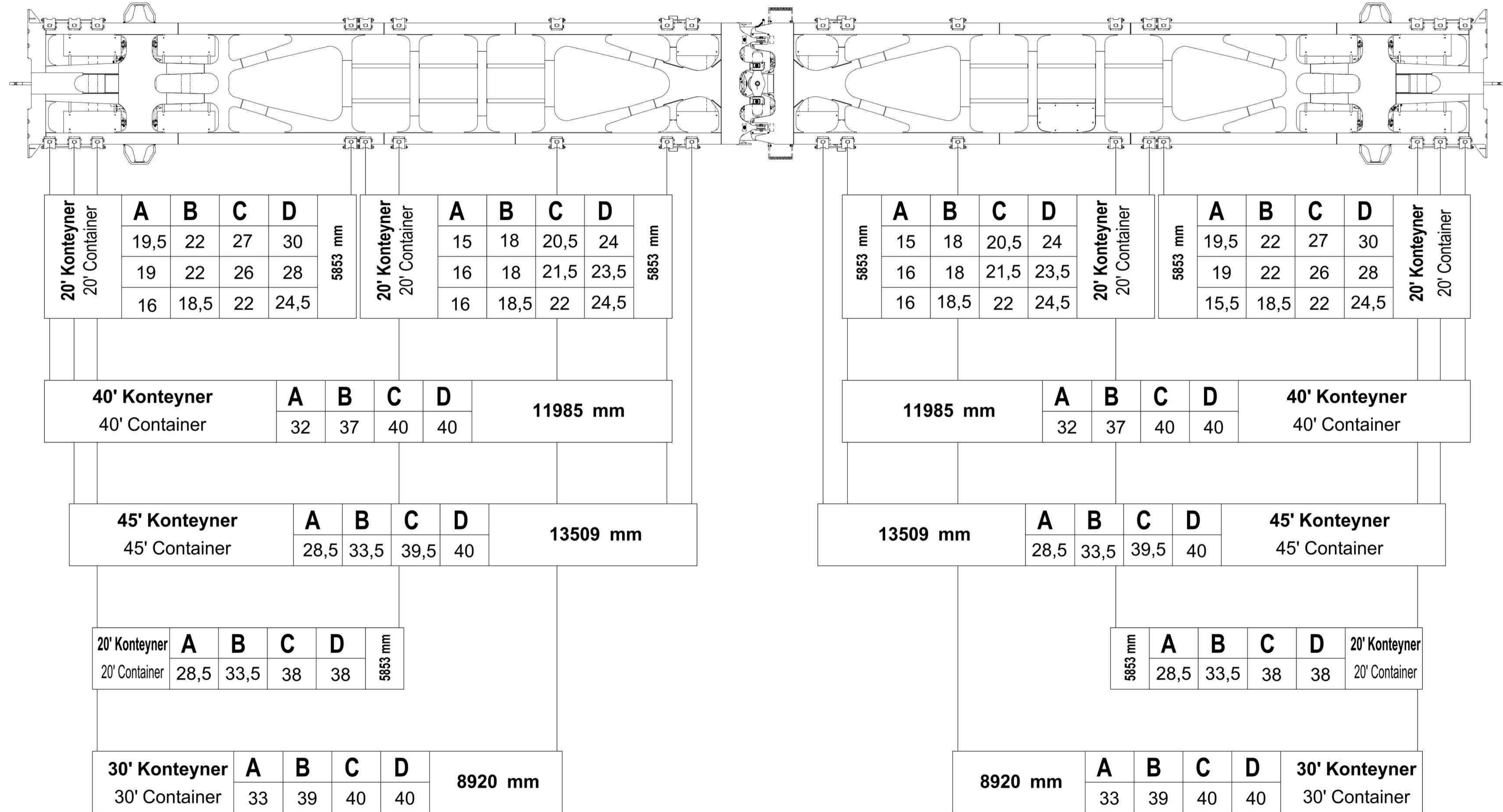


# YÜKLEME DURUMU (SİMETRİK)

## LOADING STATUS (Symmetrical)

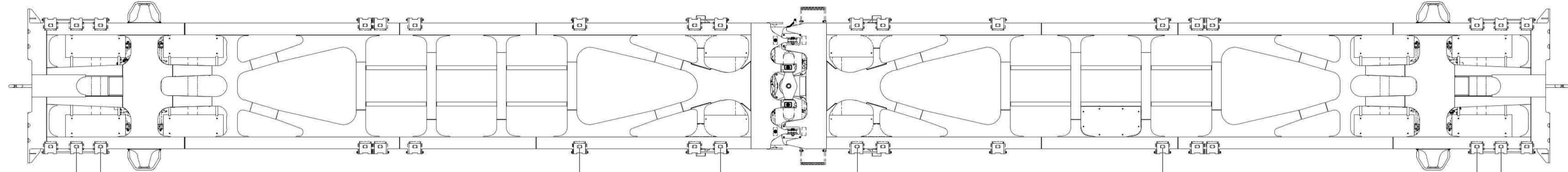


Load Cases

90 ft Konteyner Vagonu  
90 ft Container Wagon

Tarih / Date	28.1.2022	Sayfa No / Page No	91
Onay / Approved	Nuretin YILDIRIM	Topl. Sayfa / Total Pages	91
Resim / Designed	Suat SAYIM	Ölçek / Scale	1:50
Kontrol / Prepared	Salih YÜĞİT	Ağırlık / Weight (Kg)	27 t
		Tip / Type	Sgmsıs

# YÜKLEME DURUMU (ASİMETRİK) LOADING STATUS (Asymmetrical)



<b>30' Konteyner</b> 30' Container	<b>A</b>	<b>B</b>	<b>C</b>	<b>D</b>	<b>8920 mm</b>
	33	39,5	40	40	

<b>30' Konteyner</b> 30' Container	<b>A</b>	<b>B</b>	<b>C</b>	<b>D</b>	<b>8920 mm</b>
	32,5	38	40	40	

<b>30' Konteyner</b> 30' Container	<b>A</b>	<b>B</b>	<b>C</b>	<b>D</b>	<b>8920 mm</b>
	32	38	40	40	

<b>40' Konteyner</b> 40' Container	<b>A</b>	<b>B</b>	<b>C</b>	<b>D</b>	<b>11985 mm</b>
	38	40	40	40	

<b>40' Konteyner</b> 40' Container	<b>A</b>	<b>B</b>	<b>C</b>	<b>D</b>	<b>11985 mm</b>
	29	34	40	40	

<b>45' Konteyner</b> 45' Container	<b>A</b>	<b>B</b>	<b>C</b>	<b>D</b>	<b>13509 mm</b>
	38	40	40	40	

<b>20' Konteyner</b> 20' Container	<b>A</b>	<b>B</b>	<b>C</b>	<b>D</b>	<b>5853 mm</b>
	28,5	33	38	38	

<b>40' Konteyner</b> 40' Container	<b>A</b>	<b>B</b>	<b>C</b>	<b>D</b>	<b>11985 mm</b>
	32	38	40	40	

<b>45' Konteyner</b> 45' Container	<b>A</b>	<b>B</b>	<b>C</b>	<b>D</b>	<b>13509 mm</b>
	32	38	40	40	

<b>20' Konteyner</b> 20' Container	<b>A</b>	<b>B</b>	<b>C</b>	<b>D</b>	<b>5853 mm</b>
	28,5	33	38	38	

<b>45' Konteyner</b> 45' Container	<b>A</b>	<b>B</b>	<b>C</b>	<b>D</b>	<b>13509 mm</b>
	29	34	40	40	

<b>20' Konteyner</b> 20' Container	<b>A</b>	<b>B</b>	<b>C</b>	<b>D</b>	<b>5853 mm</b>
	28,5	33	38	38	



## Load Cases

**90 ft Konteyner Vagonu**  
90 ft Container Wagon

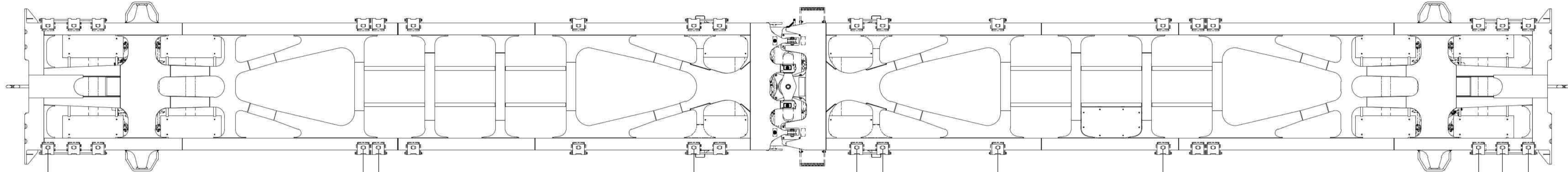
Tarih / Date	28.01.2022
Onay / Approved	Nuretin YILDIRIM
Resim / Designed	Suat SAYIM
Kontrol / Prepared	Salih YİĞİT

Ölçek / Scale	1:50	Ağırlık / Weight (Kg)	27 t	Tip / Type	Sgmsrs
---------------	------	-----------------------	------	------------	--------

Sayfa No / Page No	02
Toplam Sayfa / Total Pages	03

# YÜKLEME DURUMU (ASİMETRİK)

## LOADING STATUS (Asymmetrical)



20' Konteyner 20' Container	<b>A</b>	<b>B</b>	<b>C</b>	<b>D</b>	5853 mm
	14	19	23,5	24,5	
	17,5	20	24	27	
	17,5	21	24,5	28	

20' Konteyner 20' Container	<b>A</b>	<b>B</b>	<b>C</b>	<b>D</b>	5853 mm
	26	26	29	35,5	
	19,5	24	28	31	
	19	21,5	26	29	

20' Konteyner 20' Container	<b>A</b>	<b>B</b>	<b>C</b>	<b>D</b>	5853 mm
	28,5	33,5	38	38	
	28,5	33	38	38	
	28,5	33	38	38	

20' Konteyner 20' Container	<b>A</b>	<b>B</b>	<b>C</b>	<b>D</b>	5853 mm
	14,5	19	23,5	26	
	16,5	21	25	27	
	18	21	25	28	

20' Konteyner 20' Container	<b>A</b>	<b>B</b>	<b>C</b>	<b>D</b>	5853 mm
	17,5	25,5	28,5	33	
	19,5	22	28	30,5	
	17,5	21,5	25	29	

30' Konteyner 30' Container	<b>A</b>	<b>B</b>	<b>C</b>	<b>D</b>	8920 mm
	33	30	38	38	
	28	35	38	38	
	33	35	38	38	

20' Konteyner 20' Container	<b>A</b>	<b>B</b>	<b>C</b>	<b>D</b>	5853 mm
	16	20	24	27	
	18	21	24,5	26,5	
	18,5	21,5	25	28	

20' Konteyner 20' Container	<b>A</b>	<b>B</b>	<b>C</b>	<b>D</b>	5853 mm
	20	24	28	31	
	18	22	26,5	32	
	17,5	20,5	25	29	

40' Konteyner 40' Container	<b>A</b>	<b>B</b>	<b>C</b>	<b>D</b>	11985 mm
	23	27	33,5	37	
	26,5	28,5	35	38	
	27,5	31	37	38	

20' Konteyner 20' Container	<b>A</b>	<b>B</b>	<b>C</b>	<b>D</b>	5853 mm
	18	20	24,5	27	
	18	21	24,5	27	
	19,5	22	25,5	28	

20' Konteyner 20' Container	<b>A</b>	<b>B</b>	<b>C</b>	<b>D</b>	5853 mm
	18,5	23,5	26,5	31	
	17,5	22	26	31	
	17	20	24	28,5	

45' Konteyner 45' Container	<b>A</b>	<b>B</b>	<b>C</b>	<b>D</b>	13509 mm
	23,5	25	32	33,5	
	25	27	33	35	
	26	31	36	36	



Load Cases

90 ft Konteyner Vagonu		90 ft Container Wagon		Sayfa No Page No 93
Onay Approved		Nurettin YILDIRIM		Topl. Sayfa Total Pages 93
Resim Designed	Suat SAYIM	Ölçek Scale	Ağırlık Weight (Kg)	Tip Type
Kontrol Prepared	Salih YİĞİT	1:50	27 t	Sgms